

VS1818263

Features

- Certified 304 Grade 18 Gauge Surgical Stainless Steel.
- Undermount Design.
- Single Compartment.
- Rounded Bowl.
- Unique sound-deadening system with sound pads and a special coating.
- Lustrous and enduring finish which compliments any decor.
- Limited lifetime warranty.

Undermount Kitchen



--- Dimensions ---	
Outer:	19-3/4" x 20-1/2" x 9"
Inner:	17-3/4" x 18-1/2" x 9"

Model	Description	Colors / Finishes
VS1818263	Undermount Sink	N/A

Included Components

- Mounting Clips
- Cut-out template

Colors / Finishes

- N/A None Applicable

Optional Accessories

- Standard Strainer
- Premium Strainer
- Sink Grid

Codes / Standards Applicable

Specified model meets or exceeds the following:

- UPC Certified



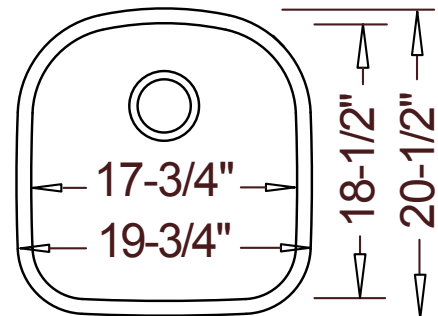
Product Specification

This Undermount sink shall be a single compartment with rounded bowl. It shall be 19-3/4" in length and 20-1/2" in width, with an overall depth of 9". Sink shall be made of 18 Gauge Stainless Steel. Sink shall include installation hardware.

Sink shall be Lancer Model VS1818263.

TECHNICAL INFORMATION

Fixture*	
Overall Inner Area	17-3/4" x 18-1/2"
Water Depth	9"
Drain Hole	3-5/8" D
*Approximate measurements for comparison only.	

**Product Image****Front View****Top View****Product Diagram**