

Features

- Certified 304 Grade 18 Gauge Surgical Stainless Steel.
- Undermount Design.
- Single Compartment.
- Rounded Bowl.
- Unique sound-deadening system with sound pads and a special coating.
- Lustrous and enduring finish which compliments any decor.
- Limited lifetime warranty.

Undermount Kitchen



--- Dimensions ---	
Outer:	30" x 18" x 9"
Inner:	28" x 16" x 9"

Model	Description	Colors / Finishes
VS18813	Undermount Sink	N/A

Included Components

- Mounting Clips
- Cut-out template

Colors / Finishes

- N/A None Applicable

Optional Accessories

- Standard Strainer
- Premium Strainer
- Sink Grid

Codes / Standards Applicable

Specified model meets or exceeds the following:

- UPC Certified



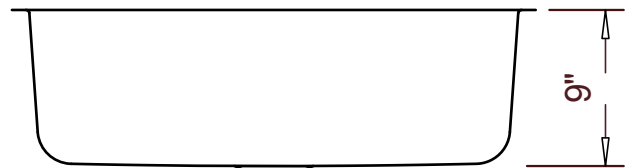
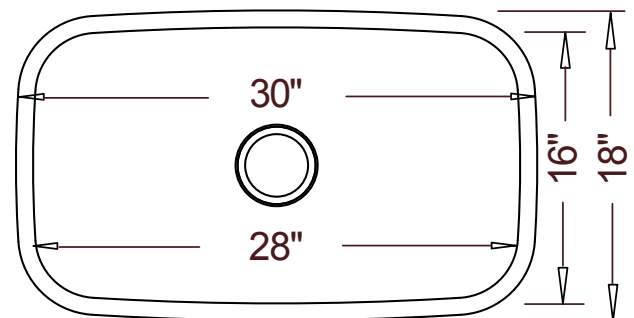
Product Specification

This Undermount sink shall be a single compartment with rounded bowl. It shall be 30" in length and 18" in width, with an overall depth of 9". Sink shall be made of 18 Gauge Stainless Steel. Sink shall include installation hardware.

Sink shall be Lancer Model VS18813.

TECHNICAL INFORMATION

Fixture*	
Overall Inner Area	28" x 16"
Water Depth	9"
Drain Hole	3-5/8" D
*Approximate measurements for comparison only.	

**Product Image****Front View****Top View****Product Diagram**