

Specification Sheet

LE-297B - "Regal"

Undercounter Kitchen

Features

- Certified 304 Grade 18 Gauge Stainless Steel.
- Undercounter
- Dual Compartments
- Rounded Bowls
- Unique sound-deadening system with sound pads and a special coating.
- Lustrous and enduring finish which compliments any decor.
- Limited lifetime warranty.



--- Dimensions ---	
Outer:	31-1/2" x 20-5/8" x 9"
Inner:	29-1/2" x 18-5/8" x 9"
Left Bowl:	17-3/4" x 18-5/8" x 9"
Right Bowl:	10-5/8" x 16" x 7"

Model	Description	Colors / Finishes
LE-297B "Regal"	Undercounter Sink	N/A

Included Components

- Mounting Clips
- Cut-out template

Colors / Finishes

- N/A None Applicable

Optional Accessories

- Standard Strainer
- Premium Strainer
- Sink Grid

Codes / Standards Applicable

Specified model meets or exceeds the following:

- UPC Certified
- CSA Certified



Product Specification

This sink shall be a dual compartment with rounded bowls. It shall be 31-1/2" in length and 20-5/8" in width, with a left bowl depth of 9" and a right bowl depth of 7". Sink shall be made of 18 gauge stainless steel. Sink shall include installation hardware. Sink shall be Leonet Model LE-297B, "Regal".

LE-297B - "Regal"

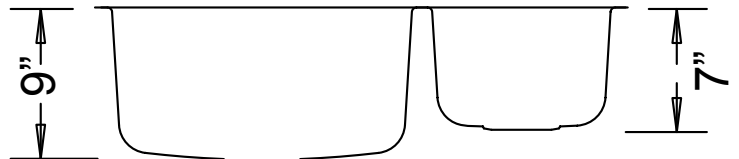
TECHNICAL INFORMATION

Fixture*	
Overall Inner Area	31-1/2" x 20-5/8"
Left Bowl Basin Area	17-3/4" x 18-5/8"
Right Bowl Basin Area	10-5/8" x 16"
Left Bowl Water Depth	9"
Right Bowl Water Depth	7"
Drain Hole (Each Bowl)	3-5/8" D
*Approximate measurements for comparison only.	

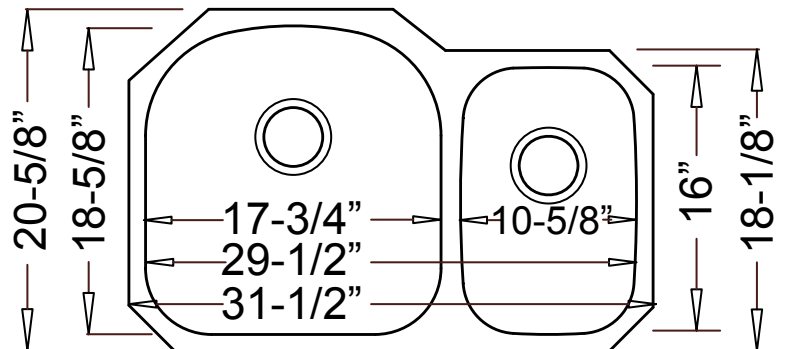


Product Image

Front View



Top View



Product Diagram