

Specification Sheet

LE-465 - "Bebido"

Features

- Certified 304 Grade 18 Gauge Stainless Steel.
- Undercounter Style
- Single Compartment
- Rounded Bowl
- Unique sound-deadening system with sound pads and a special coating.
- Lustrous and enduring finish which compliments any decor.
- Limited lifetime warranty.

Undercounter Kitchen



--- Dimensions ---
Outer
12-1/2" x 18" x 7"
Inner
10-1/2" x 16" x 7"

Model	Description	Colors / Finishes
LE-465 "Bebido"	Undercounter Sink	N/A

Included Components

- Mounting Clips
- Cut-out template

Colors / Finishes

- N/A None Applicable

Optional Accessories

- Standard Strainer
- Premium Strainer
- Sink Grid

Codes / Standards Applicable

Specified model meets or exceeds the following:

- UPC Certified
- CSA Certified



Product Specification

This undercounter sink shall be a single compartment with rounded bowl. It shall be 12-1/2" in length and 18" in width, and a depth of 7". Sink shall be made of 18 gauge stainless steel. Sink shall include installation hardware. Sink shall be Leonet Model LE-465, "Bebido".

LE-465 - "Bebido"

TECHNICAL INFORMATION

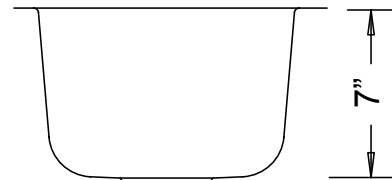
Fixture*	
Basin Area	10-1/2" x 16"
Water Depth	7"
Drain Hole	3-5/8" D

*Approximate measurements for comparison only.

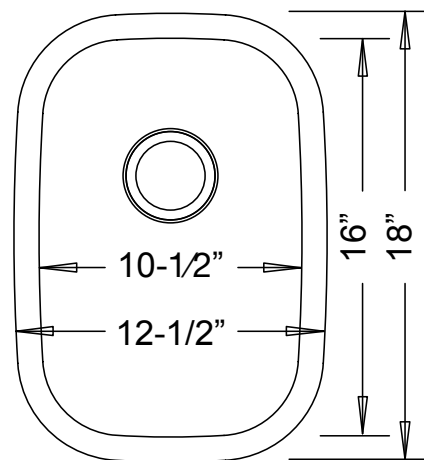


Product Image

Front View



Top View



Product Diagram