

## Specification Sheet

## LE-R12 - "Regatta"

### Features

- Certified 304 Grade 18 Gauge Stainless Steel.
- Undercounter Style
- Single Compartment
- Rounded Bowl
- Unique sound-deadening system with sound pads and a special coating.
- Lustrous and enduring finish which compliments any decor.
- Limited lifetime warranty.

### Undercounter Kitchen



--- Dimensions ---

Outer

32-1/2" x 18-5/8" x 9"

Inner

30-1/4" x 16-3/8" x 9"

Model	Description	Colors / Finishes
LE-R12 "Regatta"	Undercounter Sink	N/A

### Included Components

- Mounting Clips
- Cut-out template

### Colors / Finishes

- N/A

### Optional Accessories

- Standard Strainer
- Premium Strainer
- Sink Grid

### Codes / Standards Applicable

Specified model meets or exceeds the following:

- UPC Certified
- CSA Certified



### Product Specification

This undercounter sink shall be a single compartment with rounded bowl. It shall be 32-1/2" in length and 18-5/8" in width, and a depth of 9". Sink shall be made of 18 gauge stainless steel. Sink shall include installation hardware.

Sink shall be Leonet Model LE-R12, "Regatta".

# LE-R12 - "Regatta"

## TECHNICAL INFORMATION

Fixture*	
Basin Area	30-1/4" x 16-3/8"
Water Depth	9"
Drain Hole	3-5/8" D
*Approximate measurements for comparison only.	

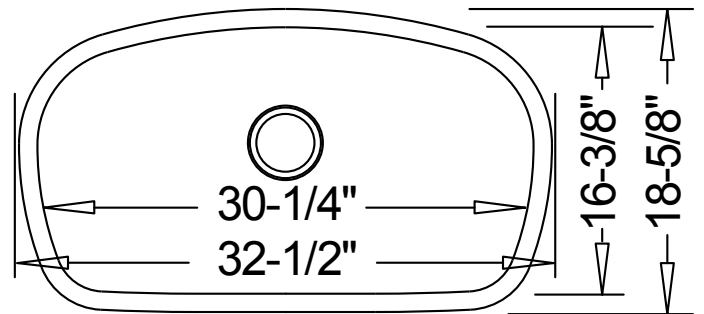


Product Image

Front View



Top View



Product Diagram