

Features

- Certified 304 Grade 18 Gauge Stainless Steel
- Undermount
- Dual Compartments
- R20mm rounded “Radial” inside corners for Easier Cleaning
- Unique sound-deadening system with sound pads and a special coating
- Lustrous and enduring finish which compliments any decor
- Limited lifetime warranty

Undermount Kitchen



--- Dimensions ---	
Outer:	31" x 18" x 9"
Inner:	29" x 16" x 9"
Left Bowl:	14" x 16" x 9"
Right Bowl:	14" x 16" x 9"

Model	Description	Colors / Finishes
MP5050	Undermount Sink	N/A

Included Components

- Mounting Clips
- Cut-out template

Colors / Finishes

- N/A None Applicable

Optional Accessories

- Standard Strainer
- Premium Strainer #LI-XD
- Sink Grid #GD-146
- Roll-Up Dish Rack #DR-001 (Black), #DR-002 (Grey)

Codes / Standards Applicable

Specified model meets or exceeds the following:

- UPC Certified
- CSA Certified



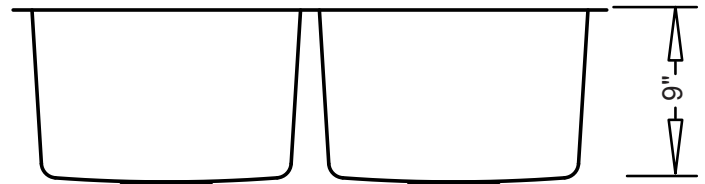
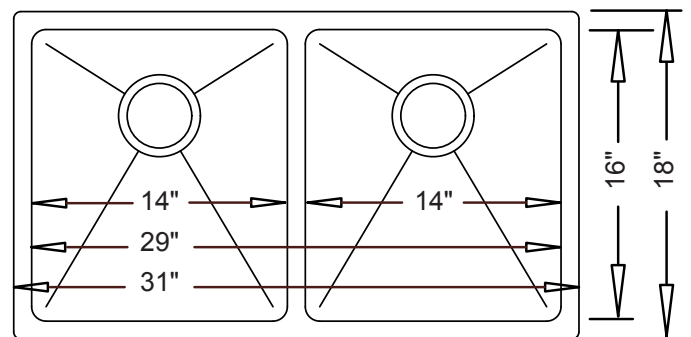
Product Specification

This sink shall be a dual compartment with each bowl featuring R20mm rounded “Radial” inside corners. It shall be 31” in length and 18” in width, with each bowl having an overall depth of 9”. Sink shall be made of 18 gauge stainless steel.

Sink shall include installation hardware. Sink shall be MetroPlace Model MP5050.

TECHNICAL INFORMATION

Fixture*	
Overall Inner Area	29" x 16"
Left Bowl Basin Area	14" x 16"
Right Bowl Basin Area	14" x 16"
Left Bowl Water Depth	9"
Right Bowl Water Depth	9"
Drain Hole (Each Bowl)	3-5/8" D
*Approximate measurements for comparison only.	

**Product Image****Front View****Top View****Product Diagram**