



Specification Sheet

PADB26 - "Georgian"

Features

- Certified 304 Grade 23 Gauge Stainless Steel
- Drop-In Style
- ADA-Compliant
(when installed according to ADA mounting guidelines)
- Single Compartment
- Rounded Bowl
- Unique sound-deadening system with sound pads and a special coating.
- Lustrous and enduring finish which compliments any decor.
- Limited lifetime warranty.

Drop-In Kitchen



--- Dimensions ---
 Outer
 15" x 15" x 5-1/2"
 Inner
 12" x 10" x 5-1/2"

Model	Description	Colors / Finishes
PADB26 "Georgian"	Undercounter Sink	N/A

Included Components

- Mounting Clips
- Cut-out template

Colors / Finishes

- N/A None Applicable

Optional Accessories

- Standard Strainer
- Premium Strainer

Codes / Standards Applicable

Specified model meets or exceeds the following:

- UPC Certified
- ASME Certified
- CSA Certified



Product Specification

This ADA-Compliant drop-in sink shall be a single compartment with rounded bowl. It shall be 15" in length and 15" in width, with a bowl depth of 5-1/2". Sink shall be made of certified 304 grade 23 gauge stainless steel. Sink shall be ADA-Compliant when installed according to ADA mounting guidelines. Sink shall include installation hardware. Sink shall be Patriot Model PADB26, "Georgian".

PADB26 - "Georgian"

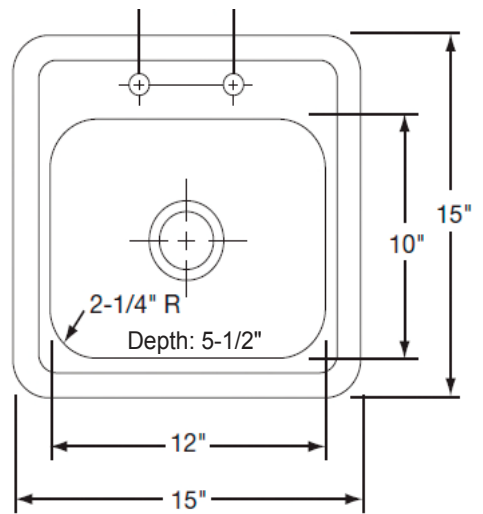
TECHNICAL INFORMATION

Fixture*	
Basin Area	12" x 10"
Water Depth	5-1/2"
Drain Hole	3-5/8" D

*Approximate measurements for comparison only.



Product Image



Product Diagram