



## Specification Sheet

# PAUD16R - "W. Virginian"

### Features

- Certified 304 Grade 18 Gauge Stainless Steel
- Undercounter
- 40/60 Style
- Dual Compartments
- Rounded Bowls
- Unique sound-deadening system with sound pads and a special coating.
- Lustrous and enduring finish which compliments any decor.
- Limited lifetime warranty.

### Undercounter Kitchen



--- Dimensions ---  
 Outer  
 31-1/4" x 20-1/2"  
 Left Bowl  
 14" x 15-3/4" x 8"  
 Right Bowl  
 13-1/2" x 18" x 10"

Model	Description	Colors / Finishes
PAUD16R "W. Virginian"	Undercounter Sink	N/A

### Included Components

- Mounting Clips
- Cut-out template

### Colors / Finishes

- N/A None Applicable

### Optional Accessories

- Standard Strainer
- Premium Strainer

### Codes / Standards Applicable

Specified model meets or exceeds the following:

- UPC Certified
- ASME Certified
- CSA Certified



### Product Specification

This undercounter sink shall be a dual compartment with rounded bowls, in a 40/60 style. It shall be 31-1/4" in length and 20-1/2" in width, with the left bowl having an overall depth of 8" and the right bowl having an overall depth of 10". Sink shall be made of 18 gauge stainless steel. Sink shall include installation hardware. Sink shall be Patriot Model PAUD16R, "W. Virginian".

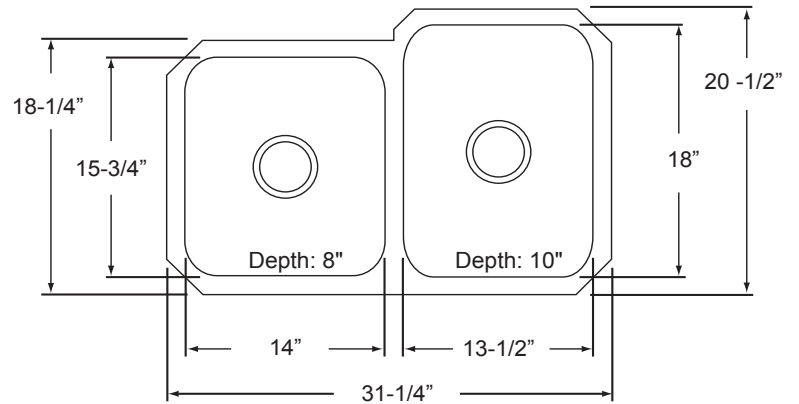
# PAUD16R - "W. Virginian"

## TECHNICAL INFORMATION

Fixture*	
Basin Area (Left Bowl)	14" x 15-3/4"
Basin Area (Right Bowl)	13-1/2" x 18"
Water Depth (Left Bowl)	8"
Water Depth (Right Bowl)	10"
Drain Hole (Each Bowl)	3-5/8" D
*Approximate measurements for comparison only.	



Product Image



Product Diagram