



Specification Sheet

PAUS18 - "Californian"

Undercounter Kitchen

Features

- Certified 304 Grade 18 Gauge Stainless Steel
- Undercounter
- Single Compartment
- Rounded Bowl
- Unique sound-deadening system with sound pads and a special coating.
- Lustrous and enduring finish which compliments any decor.
- Limited lifetime warranty.



--- Dimensions ---

Outer

16-1/2" x 18-1/4" x 8"

Inner

14" x 15-3/4" x 8"

Model	Description	Colors / Finishes
PAUS18 "Californian"	Undercounter Sink	N/A

Included Components

- Mounting Clips
- Cut-out template

Colors / Finishes

- N/A None Applicable

Optional Accessories

- Standard Strainer
- Premium Strainer

Codes / Standards Applicable

Specified model meets or exceeds the following:

- UPC Certified
- ASME Certified
- CSA Certified



Product Specification

This undercounter sink shall be a single compartment with rounded bowl. It shall be 16-1/2" in length and 18-1/4" in width, with an overall depth of 8". Sink shall be made of 18 gauge stainless steel. Sink shall include installation hardware.

Sink shall be Patriot Model PAUS18, "Californian".

PAUS18 - "Californian"

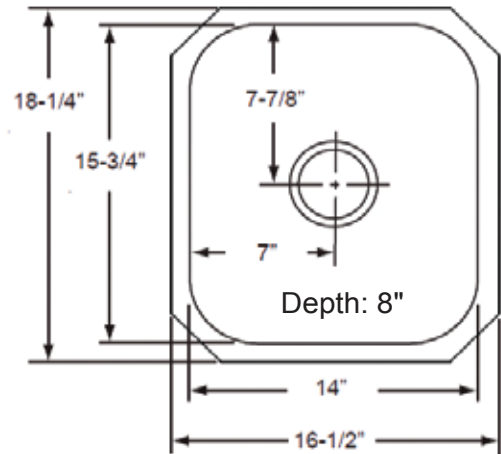
TECHNICAL INFORMATION

Fixture*	
Basin Area	14" x 15-3/4"
Water Depth	8"
Drain Hole	3-5/8" D

*Approximate measurements for comparison only.



Product Image



Product Diagram