

RG33APRON

Features

- Certified 304 Grade 15 Gauge Surgical Stainless Steel.
- Farmhouse Apron Design with Reveal Cutout.
- Single Compartment.
- Rectangular Bowl.
- Ledge near top of sink where most included accessories sit.
- Lustrous and enduring finish which compliments any decor.
- Limited lifetime warranty.

Undermount Kitchen

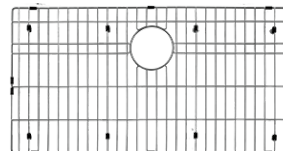


| | |
|--------------------|---------------------|
| --- Dimensions --- | |
| Outer: | 33" x 21-1/4" x 10" |
| Inner: | 31" x 17" x 10" |

| Model | Description | Colors / Finishes |
|-----------|----------------------|-------------------|
| RG33APRON | Farmhouse Apron Sink | N/A |

Included Components

- Cutting Board (Sits on top of sink)
- Roll-Up Dish Rack (Sits in ledge)
- Colander (Sits in ledge)
- Grid
- Strainer
- Installation Template
- Mounting Clips



Optional Accessories

- Cutting Board with Bowl (CB-011, CB-011-BWL)
(Sits in Ledge, Board and Bowl Sold Separately)



CB-011, CB-011-BWL

Colors / Finishes

- N/A None Applicable

Codes / Standards Applicable

Specified model meets or exceeds the following:

- UPC Certified



Product Specification

This Farmhouse Apron sink shall be a single compartment with rectangular bowl. It shall be 33" in length and 21-1/4" in width, with a depth of 10". It shall feature a ledge near the top of the sink where most included accessories sit.

Sink shall be made of 15 Gauge Stainless Steel. Sink shall be Ridge Model RG33APRON.

RG33APRON

TECHNICAL INFORMATION

| Fixture* | |
|--|-----------|
| Overall Inner Area | 31" x 17" |
| Water Depth | 10" |
| Drain Hole | 3-5/8" D |
| *Approximate measurements for comparison only. | |

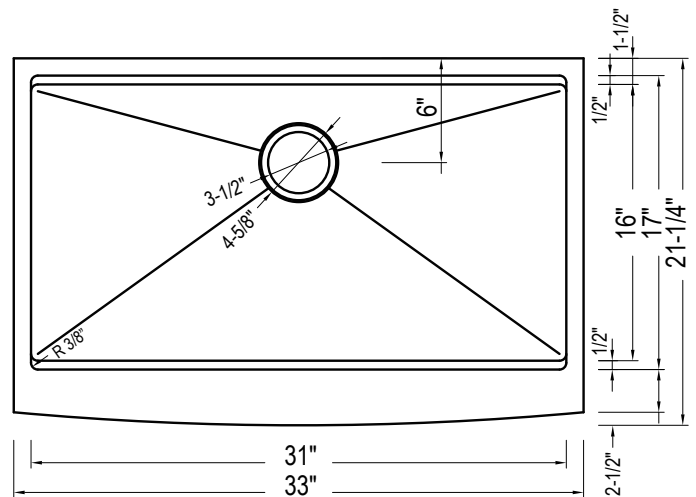


Product Image

Front View



Top View



Product Diagram