

TU-012 - "Ellison"

Round Vanity

Features

- Certified 304 Grade 18 Gauge Stainless Steel.
- Vanity Style.
- Single Compartment.
- Round Bowl.
- Lustrous and enduring finish which compliments any decor.
- Limited lifetime warranty.



--- Dimensions ---
Outer
16-3/4" Diameter x 6-1/2"
Inner
14-1/4" Diameter x 6-1/2"

Model	Description	Colors / Finishes
TU-012 "Ellison"	Round Vanity	N/A

Included Components

- Cut-out template
- Overflow Kit w/Popup Drain

Colors / Finishes

- N/A None Applicable

Optional Accessories

- Standard Strainer
- Premium Strainer
- Sink Grid

Codes / Standards Applicable

Specified model meets or exceeds the following:

- Warnock Hersey Certified



Product Specification

This vanity sink shall be a single compartment with round bowl. It shall be 16-3/4" in diameter, with a bowl depth of 6-1/2". Sink shall be made of 18 gauge stainless steel. Sink shall include installation hardware, overflow kit, and popup drain. Sink shall be Tritan Model TU-012, "Ellison".

TU-012 - "Ellison"

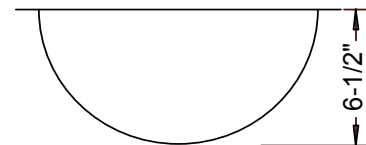
TECHNICAL INFORMATION

Fixture*	
Basin Area	14-1/4" Diameter
Water Depth	6-1/2"
Drain Hole	3-5/8" D
*Approximate measurements for comparison only.	

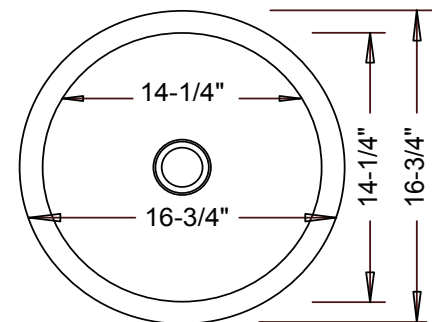


Product Image

Front View



Top View



Product Diagram