

TU-013 - "Durango"

Oval Vanity

Features

- Certified 304 Grade 18 Gauge Stainless Steel.
- Vanity Style.
- Single Compartment
- Oval Bowl
- Lustrous and enduring finish which compliments any decor.
- Limited lifetime warranty.



--- Dimensions ---
Outer
18" x 14" x 6"
Inner
16" x 12" x 6"

Model	Description	Colors / Finishes
TU-013 "Durango"	Oval Vanity Sink	N/A

Included Components

- Cut-out template
- Overflow Kit w/Popup Drain

Colors / Finishes

- Brushed Stainless Finish

Optional Accessories

- N/A None Applicable

Codes / Standards Applicable

Specified model meets or exceeds the following:

- Warnock Hersey Certified



Product Specification

This oval vanity sink shall be a single compartment with oval bowl. It shall be 18" in length and 14" in width, with a bowl depth of 6". Sink shall be made of 18 gauge stainless steel. Sink shall include installation hardware, overflow kit and popup drain. Sink shall be Tritan Model TU-013, "Durango".

TU-013 - "Durango"

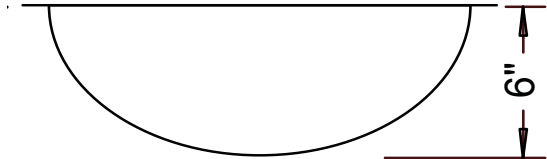
TECHNICAL INFORMATION

Fixture*	
Basin Area	16" x 12"
Water Depth	6"
Drain Hole	1-7/8" D
*Approximate measurements for comparison only.	

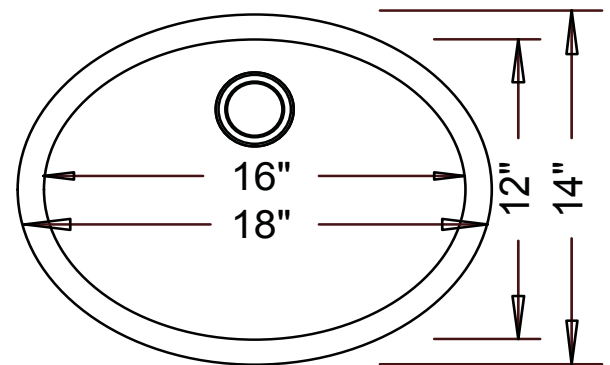


Product Image

Front View



Top View



Product Diagram