

R-ZS-300 "Radial Integration"

Features

- Certified 304 Grade 18 Gauge Stainless Steel
- Undermount
- Single Compartment
- R15mm rounded "Radial" inside corners for Easier Cleaning
- Also available in a Zero-Edge Corner Configuration (Model # **ZS-300**)
- Unique sound-deadening system with sound pads and a special coating
- Lustrous and enduring finish which compliments any decor
- Limited lifetime warranty

Undermount Kitchen



--- Dimensions ---	
Outer:	31-3/4" x 18-1/2" x 9"
Inner:	29-3/4" x 16-1/2" x 9"

Model	Description	Colors / Finishes
R-ZS-300 "Radial Integration"	Undermount Sink	N/A

Included Components

- Mounting Clips
- Cut-out template

Colors / Finishes

- N/A None Applicable

Optional Accessories

- Standard Strainer #LI-XD
- Premium Strainer
- Sink Grid #GD-042
- Roll-Up Dish Rack #DR-001 (Black), #DR-002 (Grey)

Codes / Standards Applicable

Specified model meets or exceeds the following:

- UPC Certified
- CSA Certified



Product Specification

This sink shall be a single compartment with R15mm rounded "Radial" inside corner bowl. Sink shall be 31-3/4" in length and 18-1/2" in width, with an overall depth of 9". Sink shall be made of 18 gauge stainless steel. Sink shall include installation hardware. Sink shall be UrbanPlace Model R-ZS-300 "Radial Integration".

R-ZS-300 "Radial Integration"

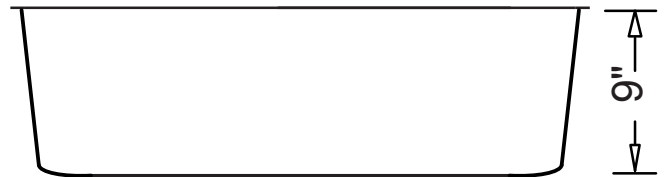
TECHNICAL INFORMATION

-- Fixture -- *	
Basin Area	29-3/4" x 16-1/2" x 9"
Drain Hole Diameter	3-5/8"
*Approximate measurements for comparison only.	

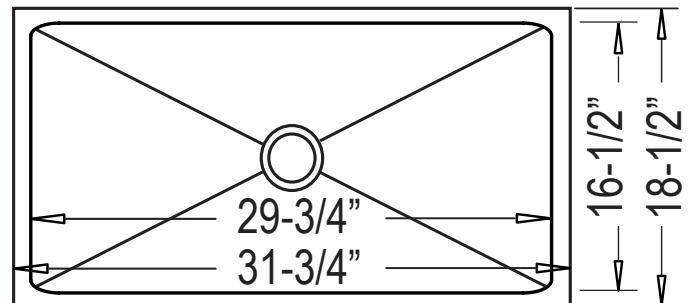


Product Image

Front View



Top View



Product Diagram