

## R-ZS-600 "Radial Solution"

### Features

- Certified 304 Grade 18 Gauge Stainless Steel
- Undermount
- Single Compartment
- 20° Inside Corner Rounded "Radial" Bowl for Easier Cleaning
- Also available in a Zero-Edge Corner Configuration (Model # **ZS-600**)
- Unique sound-deadening system with sound pads and a special coating
- Lustrous and enduring finish which compliments any decor
- Limited lifetime warranty

### Undermount Kitchen



--- Dimensions ---	
Outer:	23-1/2" x 18-1/2" x 9"
Inner:	21-1/2" x 16-1/2" x 9"

Model	Description	Colors / Finishes
R-ZS-600 "Radial Solution"	Undermount Sink	N/A

### Included Components

- Mounting Clips
- Cut-out template

### Colors / Finishes

- N/A None Applicable

### Optional Accessories

- Standard Strainer
- Premium Strainer

### Codes / Standards Applicable

Specified model meets or exceeds the following:

- UPC Certified
- CSA Certified



### Product Specification

This sink shall be a single compartment with 20° inside rounded corner bowl. It shall be 23-1/2" in length and 18-1/2" in width, with an overall depth of 9". Sink shall be made of 18 gauge stainless steel. Sink shall include installation hardware. Sink shall be UrbanPlace Model R-ZS-600 "Radial Solution".

# R-ZS-600 "Radial Solution"

## TECHNICAL INFORMATION

-- Fixture -- *	
Basin Area	21-1/2" x 16" x 9"
Drain Hole Diameter	3-5/8"
*Approximate measurements for comparison only.	

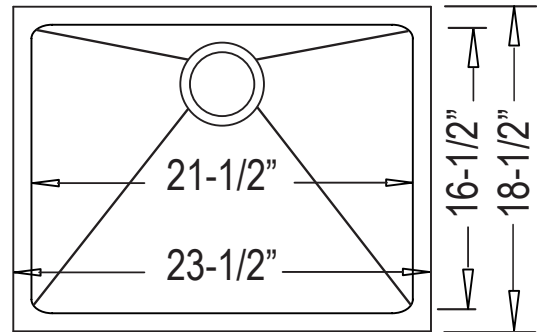


Product Image

Front View



Top View



Product Diagram